

SONOROUS | ELEMENTS

# SONOROUS<sup>®</sup>

---

At Sonorous, we believe your entertainment system should be complimented by specialist AV (Audio Video) furniture that displays your TV, not your wires. It should also be totally functional, giving an accessible yet discrete and bespoke home to your entertainment system. Choose confidently from our contemporary designs that will compliment your personal style and the carefully selected furnishings in your home.

---



---

## ELEMENTS

**ELEMENTS** brings Sonorous design, creativity and styling to a new level. A modular concept that displays and discreetly stores all your Audio / Video equipment right at the heart of your living space.

Special attention has been given to provide discrete and practical storage for all your home entertainment, yet meet the style and design requirements of the most carefully furnished home.

Contemporary designs of lacquered tempered glass and wood are at the core of Elements. The concept is simple and convincing. Quality without compromise.

---



































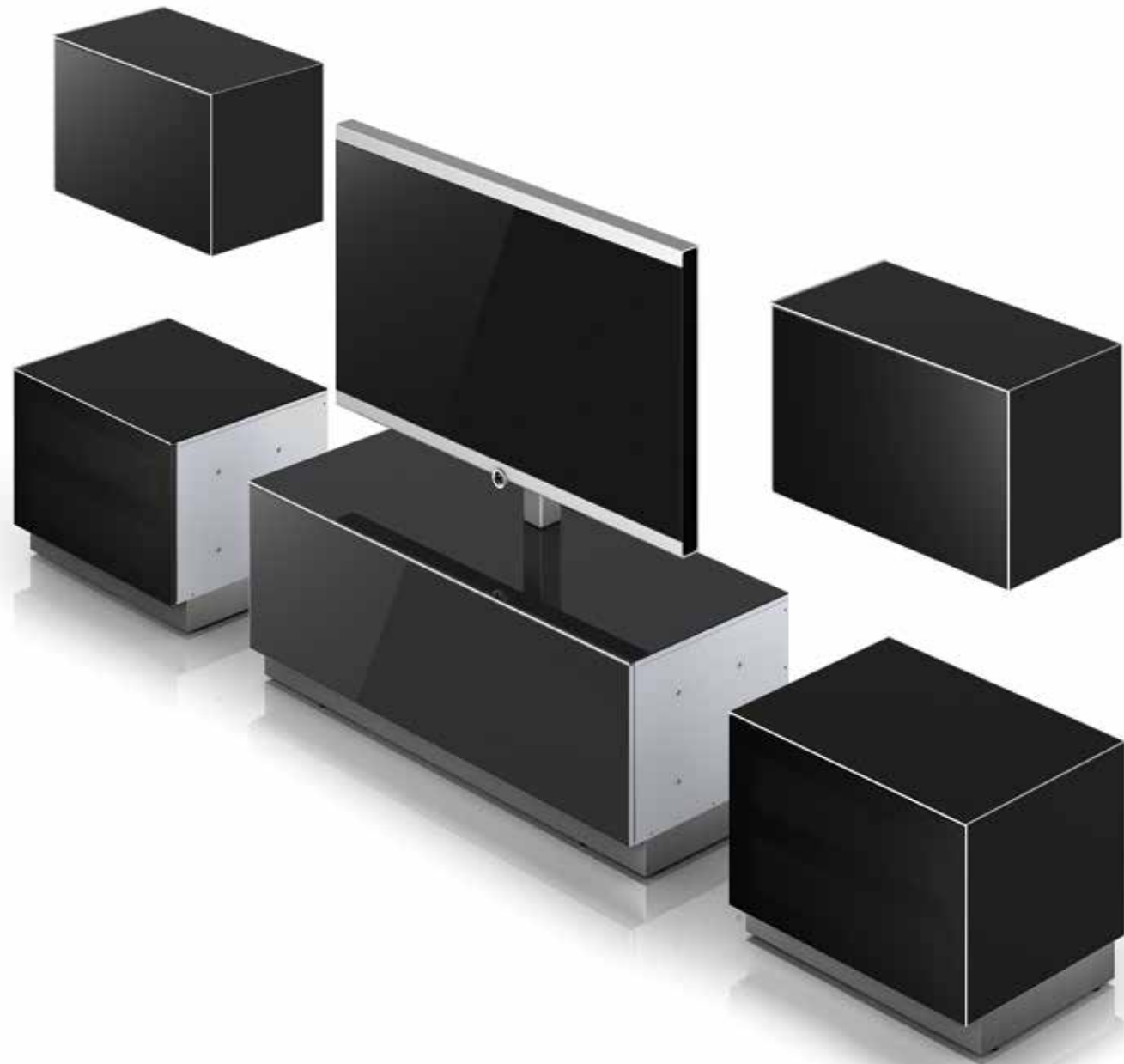






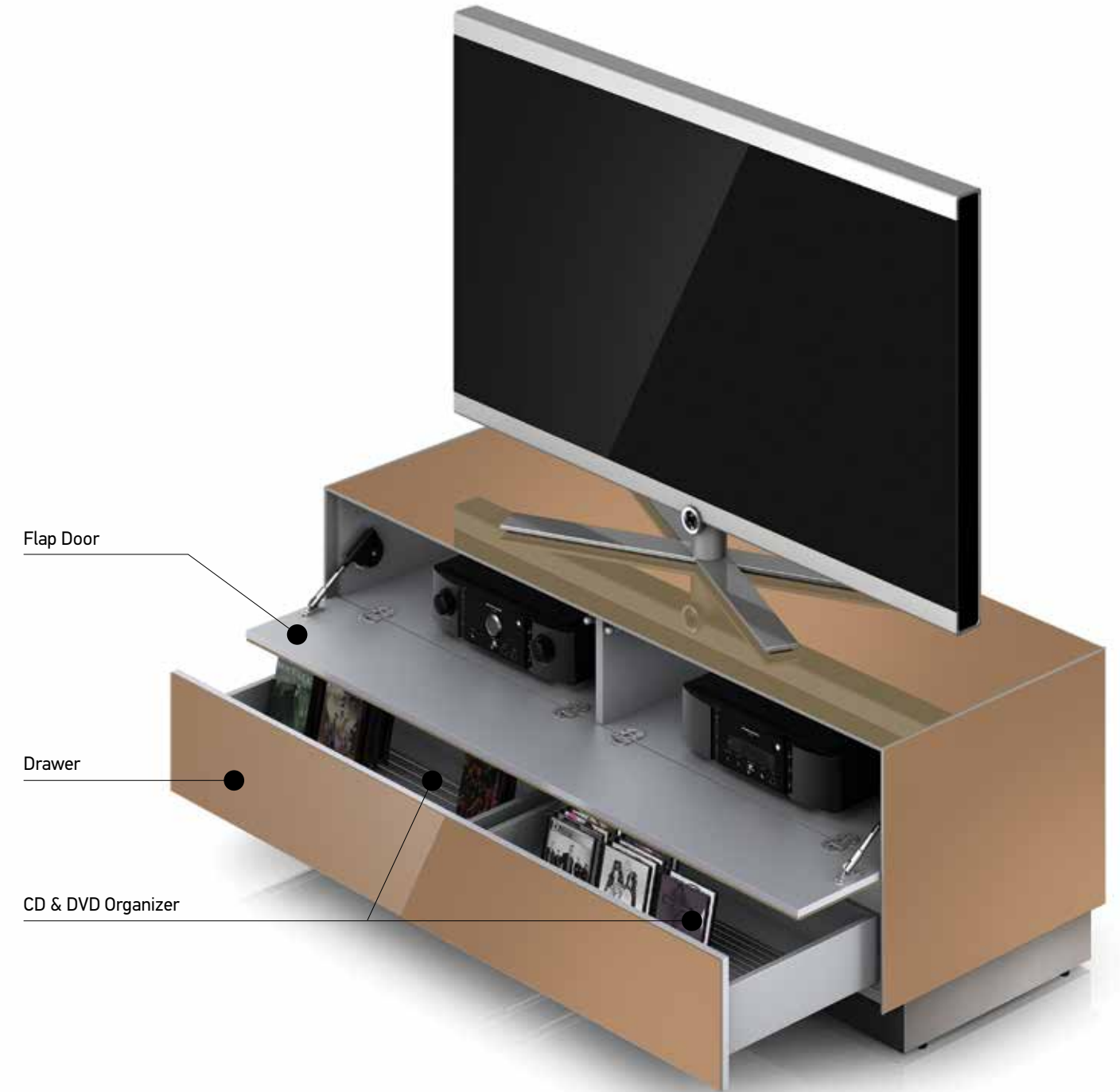
# DRAWER SLIDES & FLAP DOORS

High-quality flap mechanisms ensures soft opening and closing. Drawers incorporate high performance and luxury "push to open" mechanisms



## MODULAR CONSTRUCTION

Modular design for exceptional freedom to meet your personal requirements. Modular construction allows you to arrange cabinets as you require, floor standing, attached to your walls, or both, you decide. A system of specialist furniture that combines elegance, technical performance and perfection.



## CD & DVD ORGANIZER

Anodized aluminium CD and DVD storage can be integrated into drawers.



## ACOUSTIC FABRIC

---

DVD Player, set top box, amplifier, media players and game consoles can all be stored behind flaps which are covered with acoustic fabric. Designed to ensure adequate ventilation so your devices don't overheat.

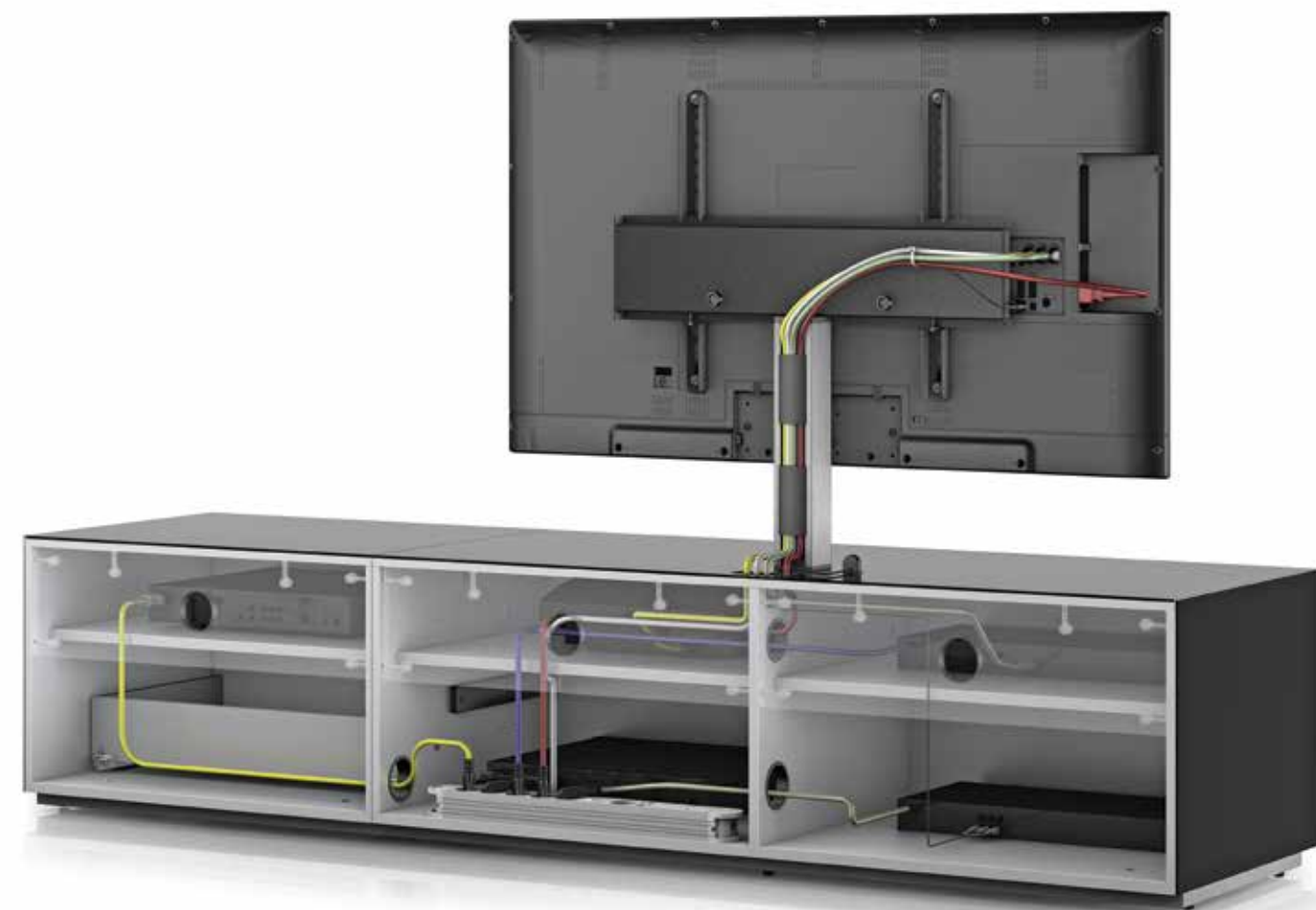
A sound bar, loudspeakers and subwoofers can be placed and operated, hidden from view, without affecting performance.



## IR REPEATER

---

Control all your equipment with your remotes, yet keeping it out of sight. Our Infrared Repeater system relays remote control signals to your equipment within the cabinet.



## CABLE MANAGEMENT

---

Cables are an essential part of your system, but you don't want to see them. Multiple and discrete horizontal and vertical cable channels make for easy access for cabling through shelves whilst keeping them out of sight within the cabinet.

## ROTATING MOUNT

---

Brushed anodised aluminium profile is used for TV mounting and provides rotating and an integrated cable management system.



# CHOICE OF BASES

---

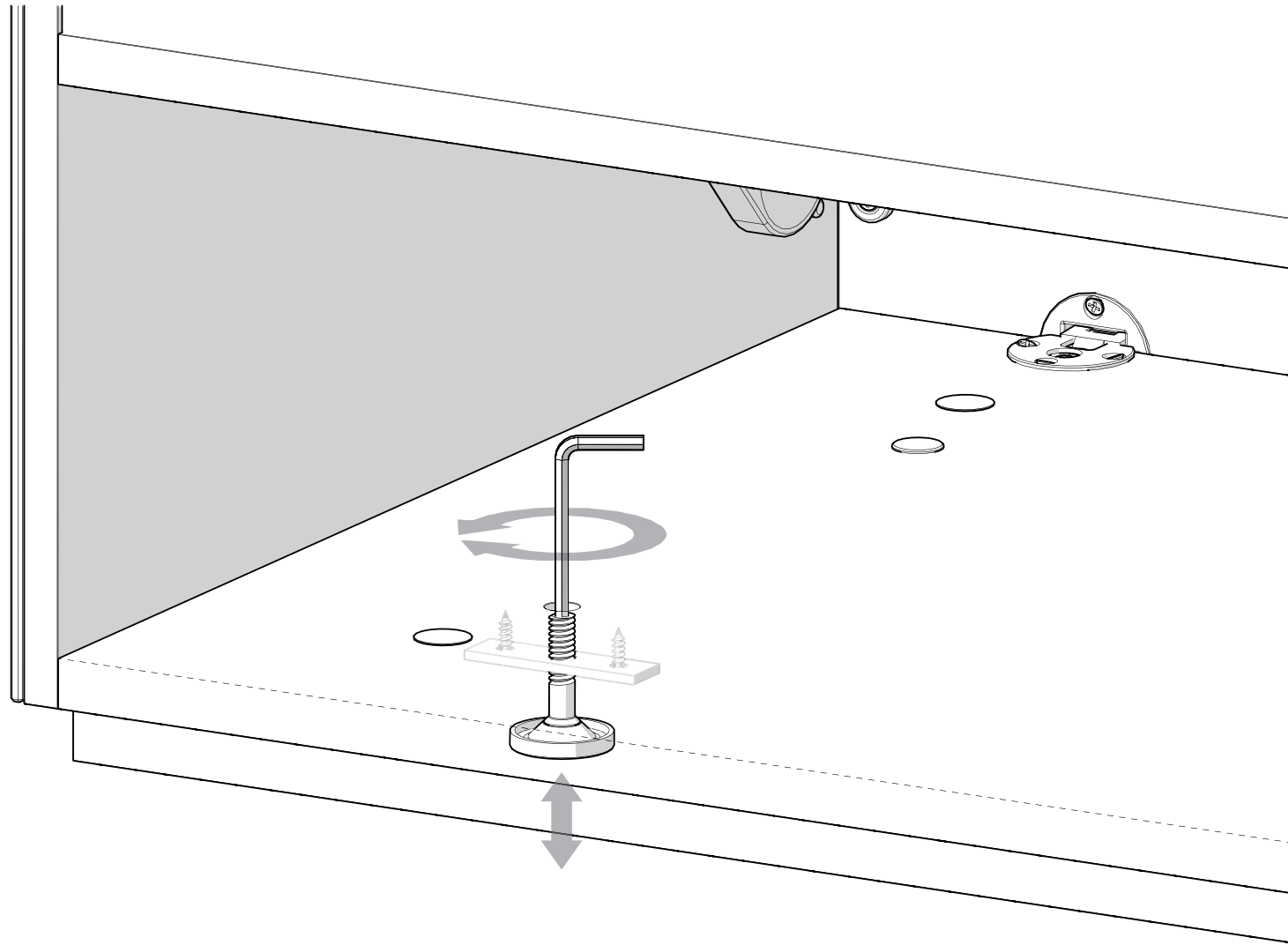


8 cm



2 cm





**ADJUSTABLE LEVELLING FEET**

## **ANODISED ALUMINIUM EDGES**

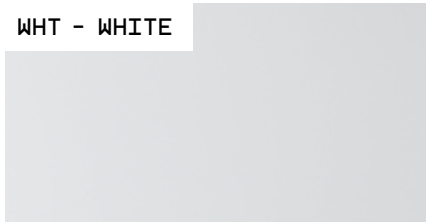
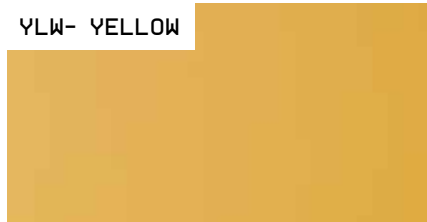
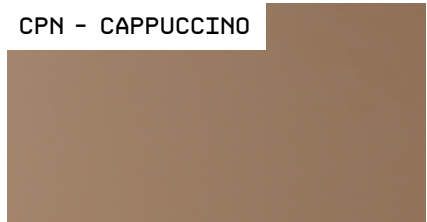
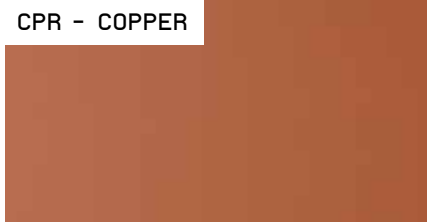
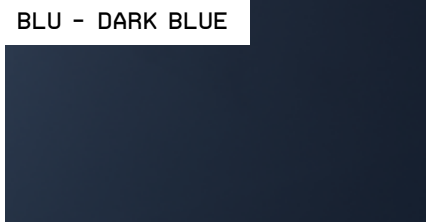
Careful use of anodized aluminium profiles creates impact resistance edges.



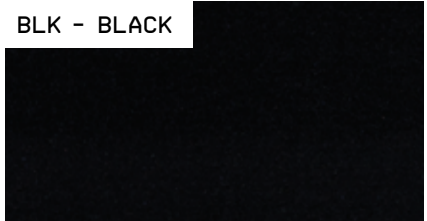
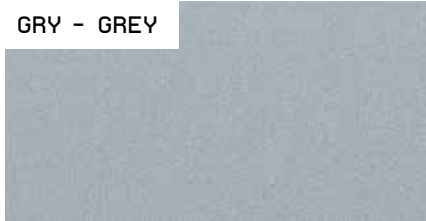
# COLOR VARIABLES

Finishes to match different tastes and needs. 8 tempered glass colors and wood finishes, allow you to choose and compliment your style.

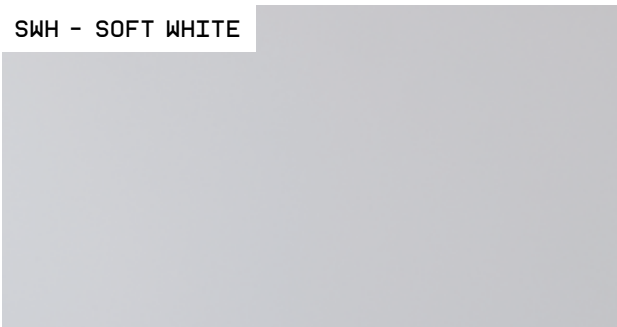
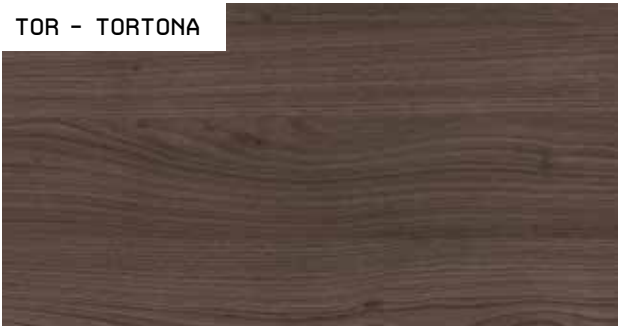
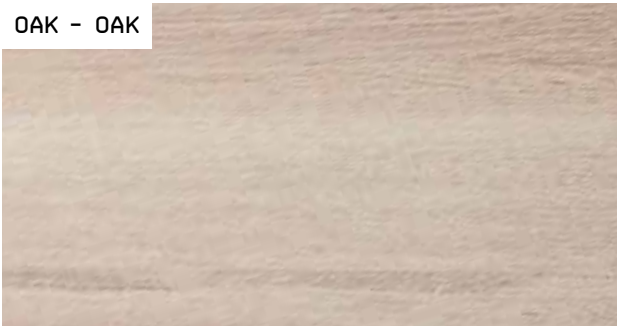
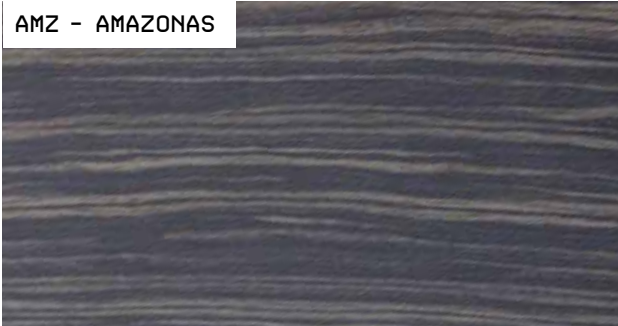
## GLASS COLORS



## TEXTILE COLORS



## WOOD COLORS



# SAMPLE COMBINATION - 1

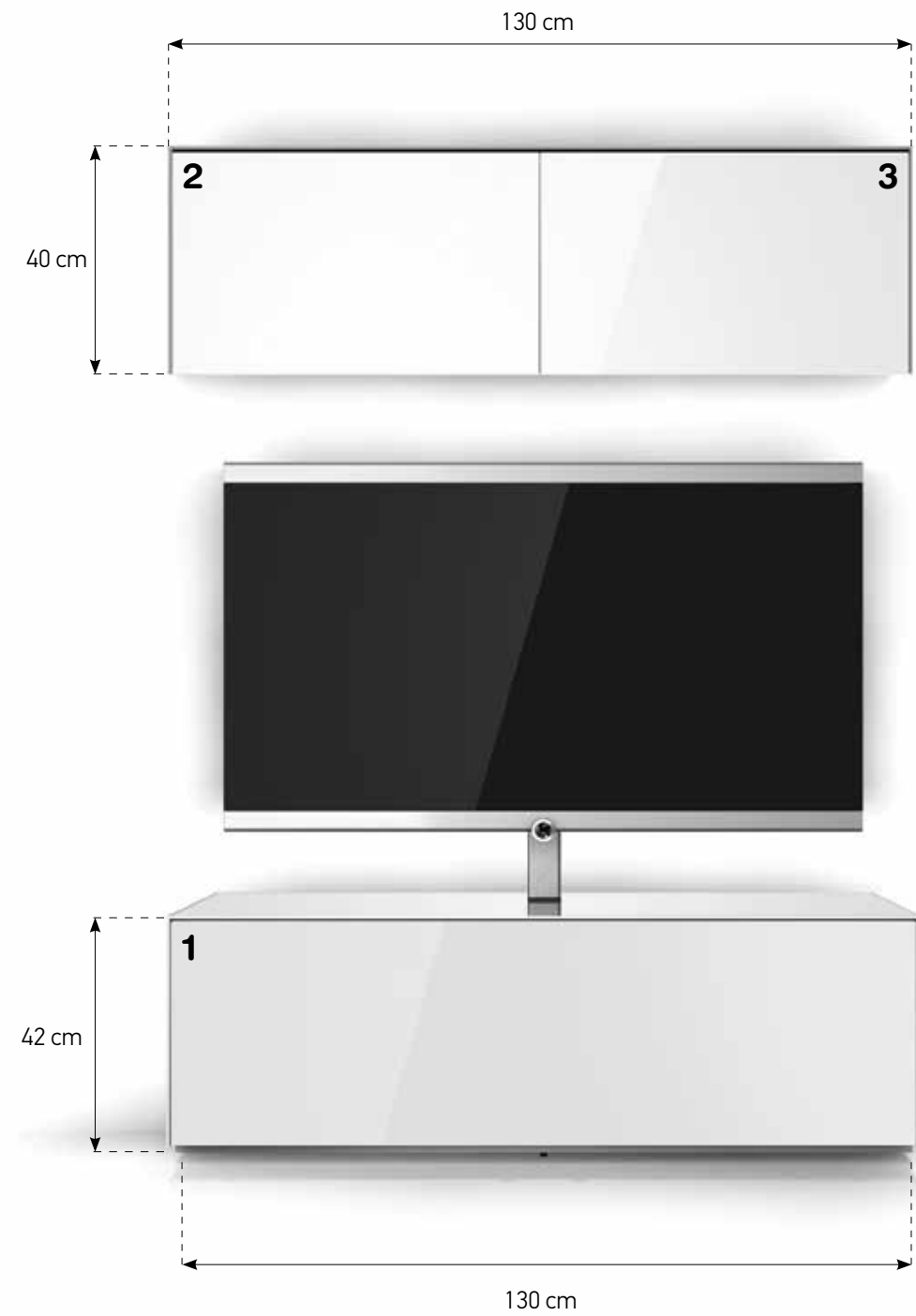
---



1- EX10-TS-WHT-BLK-8-B  
2- EX20-DD-WHT-WHT-8-C

# SAMPLE COMBINATION - 2

---



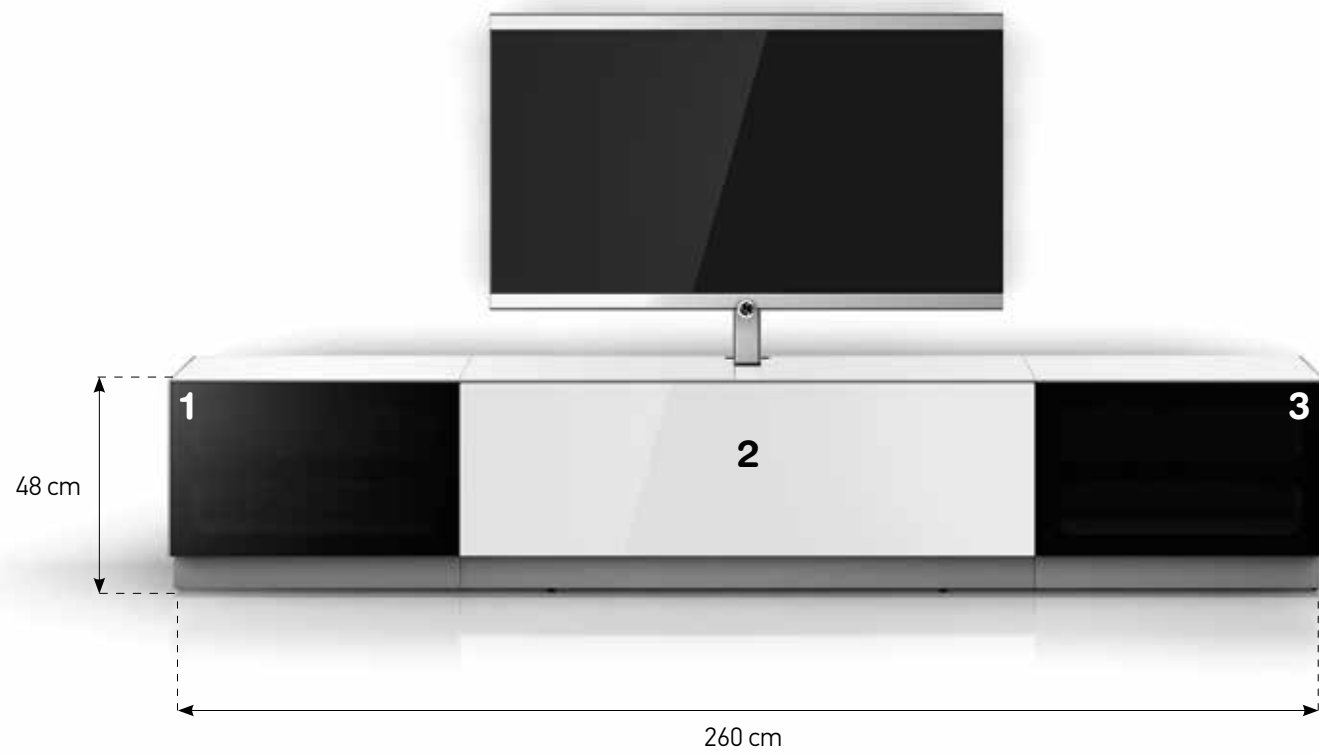
1- EX11-F-WHT-WHT-2-A  
2- ED50-U-WHT-WHT-B  
3- ED50-U-WHT-WHT-C

# SAMPLE COMBINATION - 3

---

# SAMPLE COMBINATION - 4

---



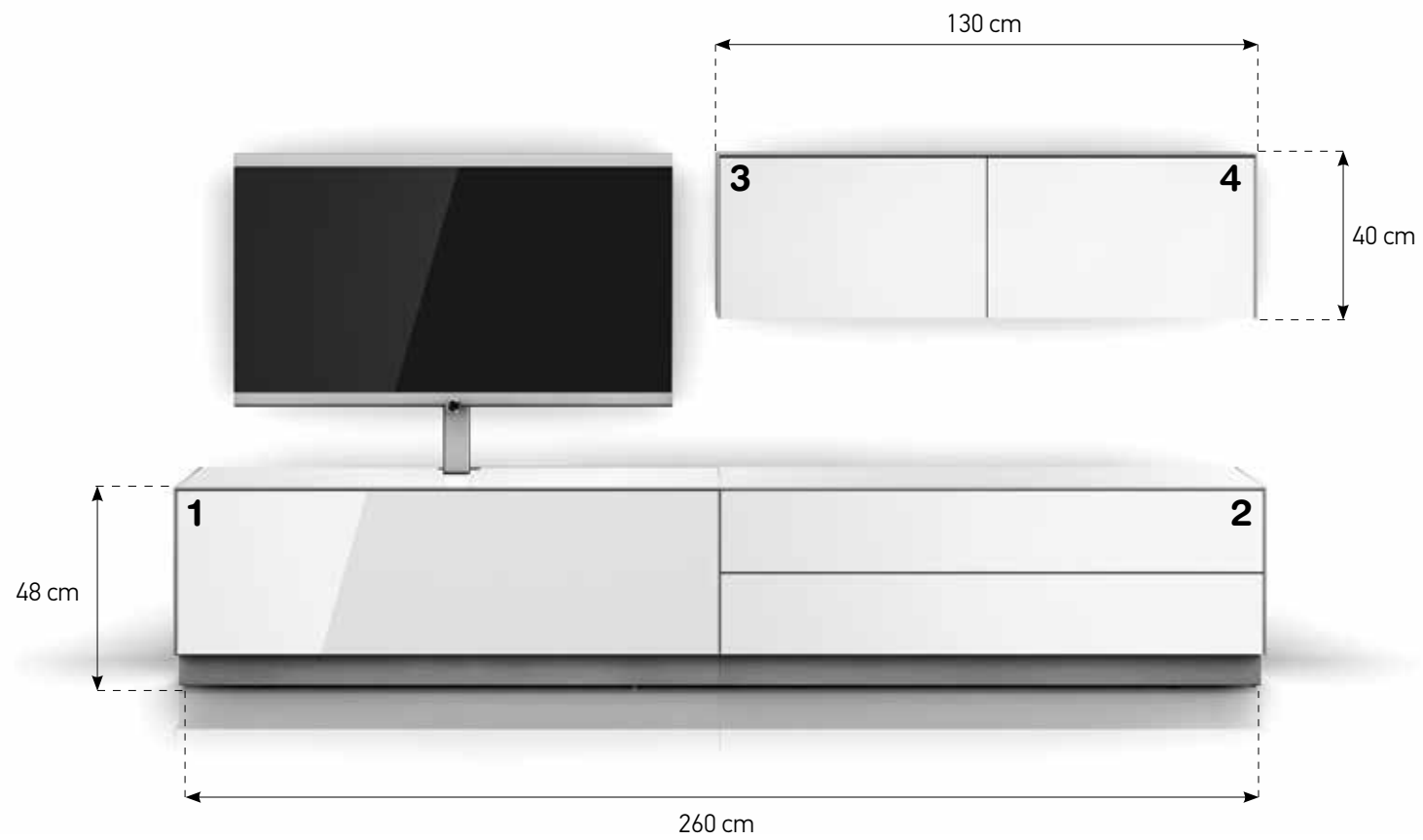
1- EX20-TS-WHT-BLK-8-B  
2- EX11-F-WHT-WHT-8-D  
3- EX20-TS-WHT-BLK-8-C

1- EX12-DD-WHT-WHT-8-B  
2- EX10-FD-WHT-WHT-8-C



# SAMPLE COMBINATION - 5

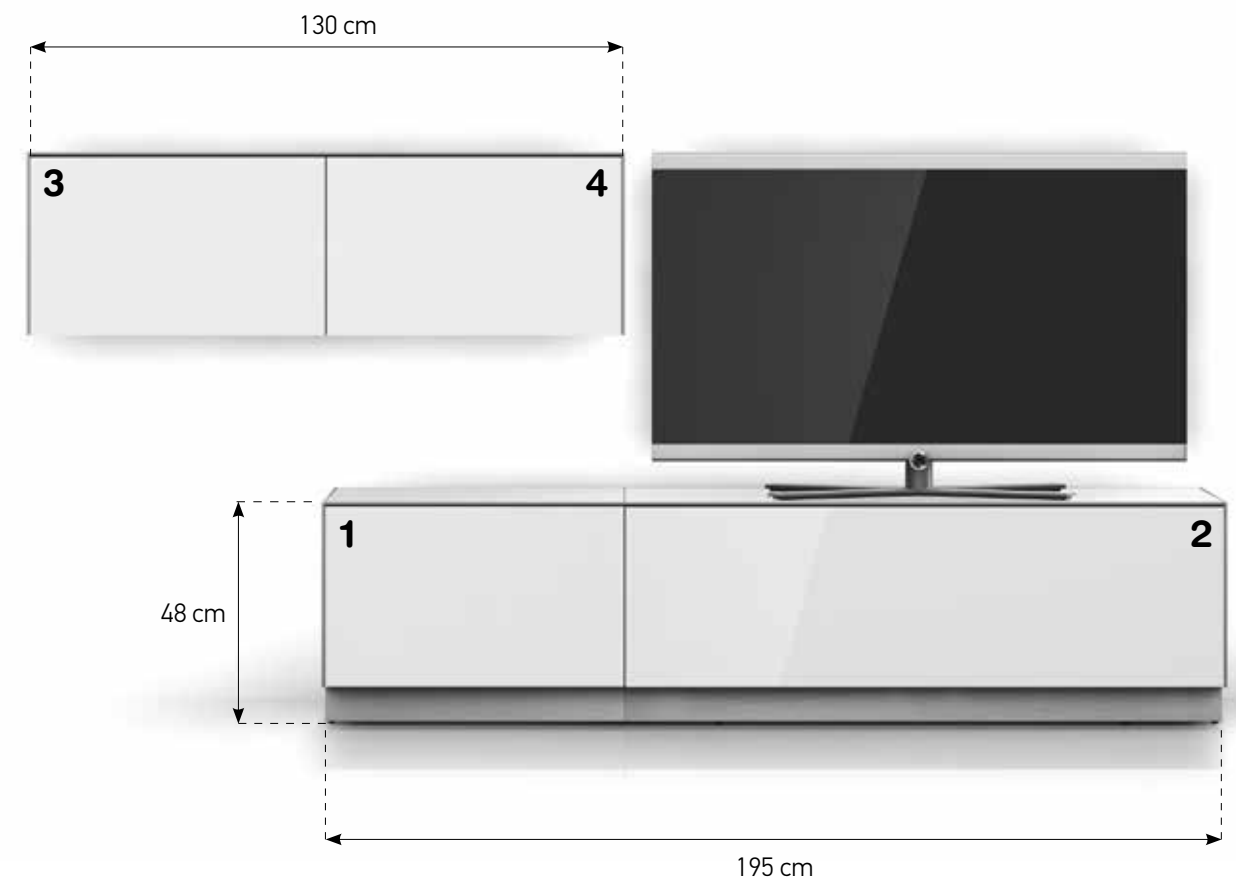
---



- 1- EX11-F-WHT-WHT-8-B
- 2- EX12-DD-WHT-WHT-8-C
- 3- ED50-F-WHT-WHT-B
- 4- ED50-F-WHT-WHT-C

# SAMPLE COMBINATION - 6

---



- 1- EX20-D-WHT-WHT-8-B
- 2- EX10-F-WHT-WHT-8-C
- 3- ED50-F-WHT-WHT-B
- 4- ED50-F-WHT-WHT-C

# SAMPLE COMBINATION - 7

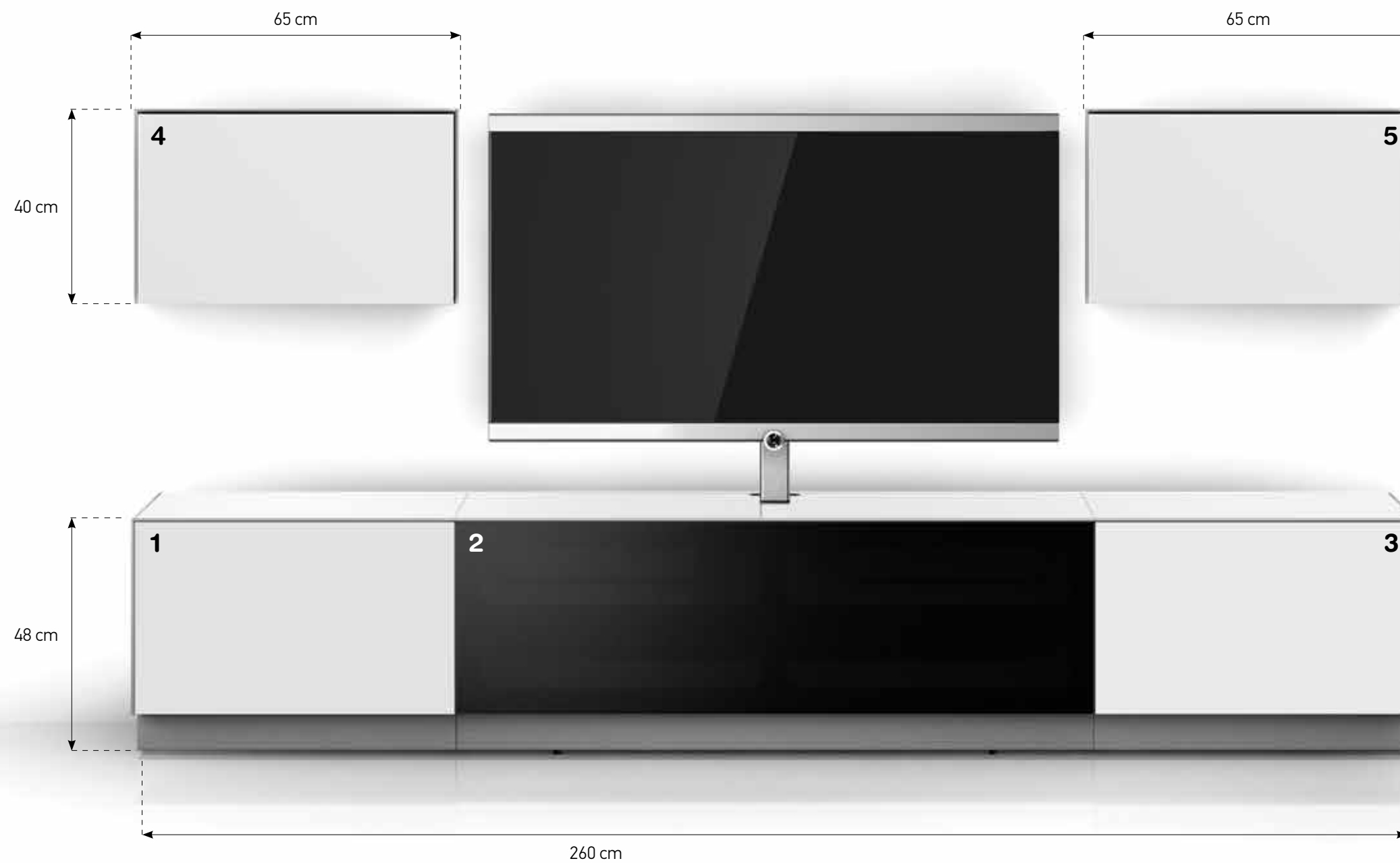
---



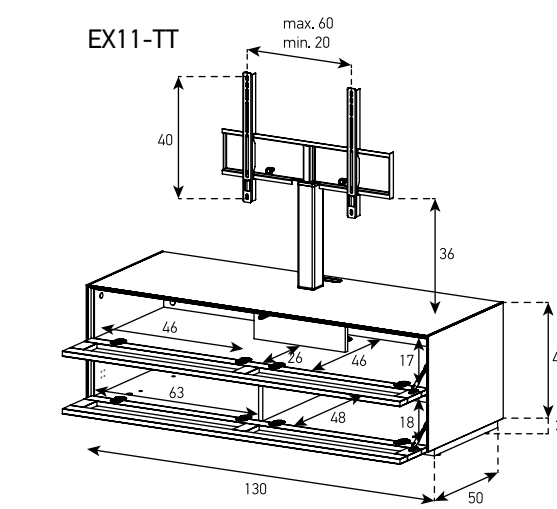
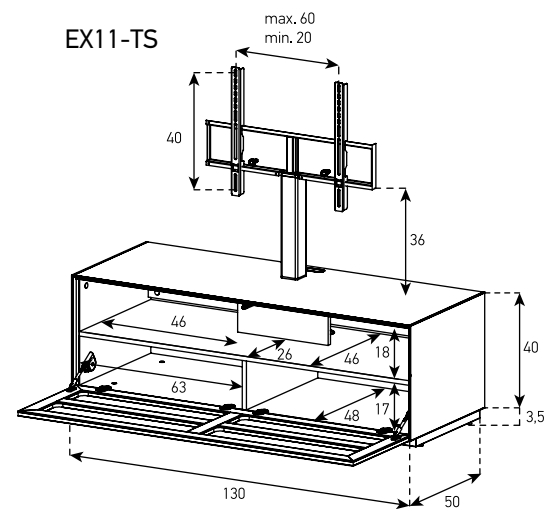
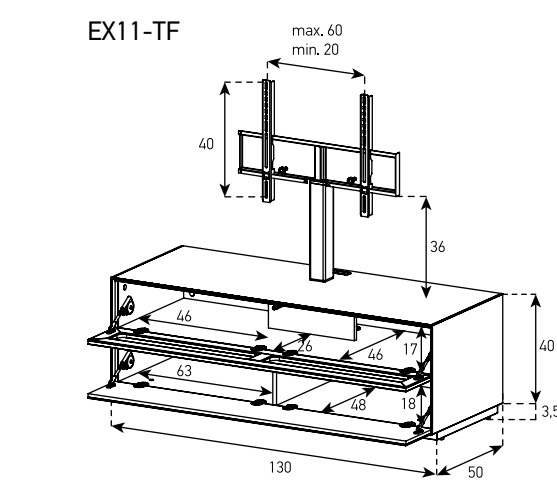
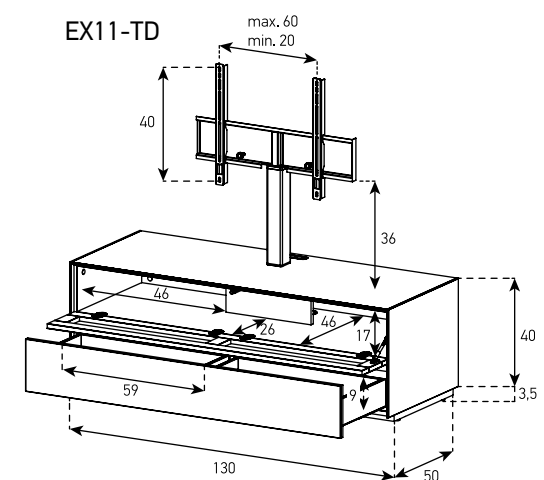
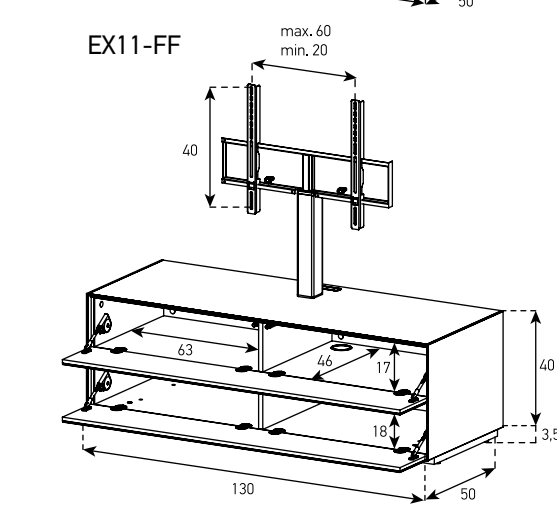
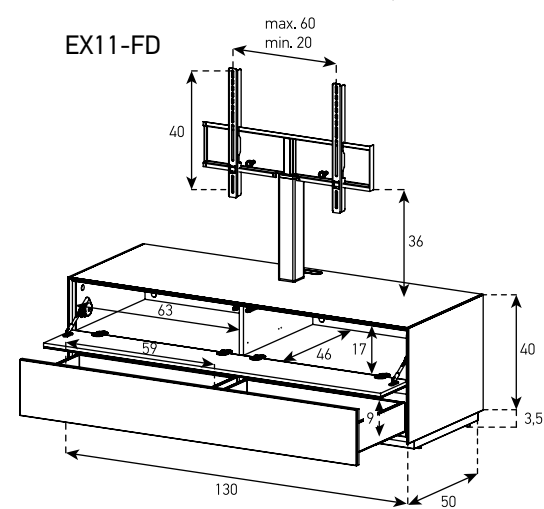
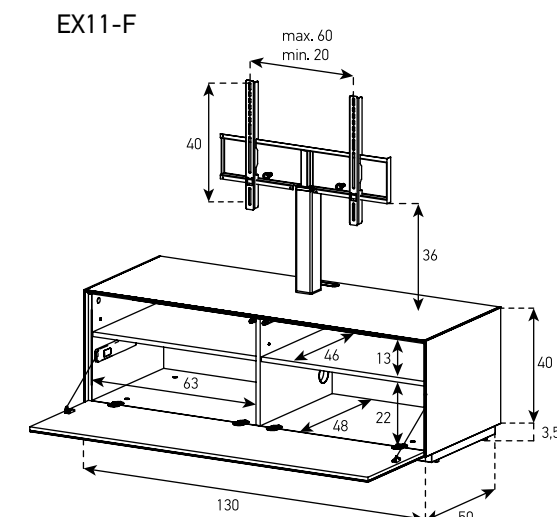
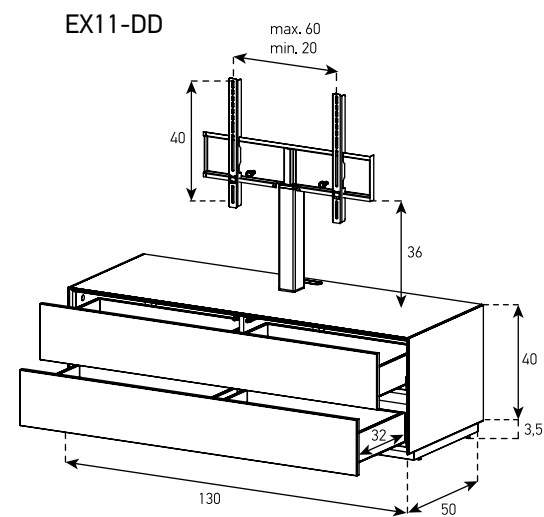
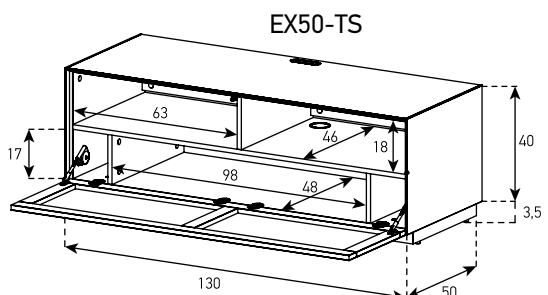
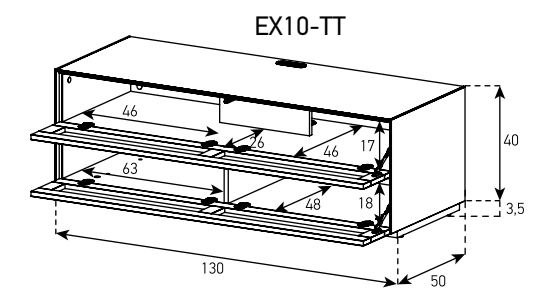
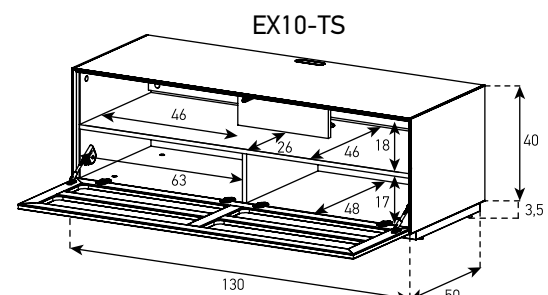
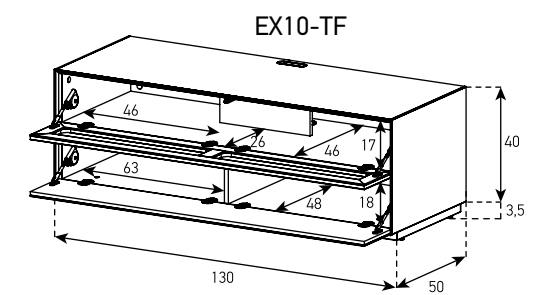
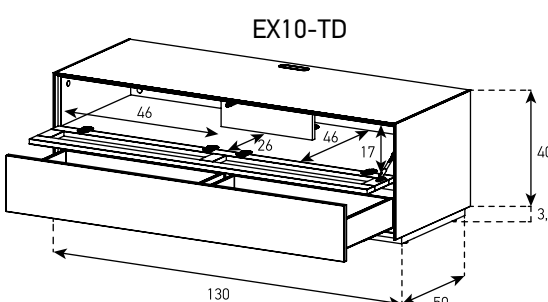
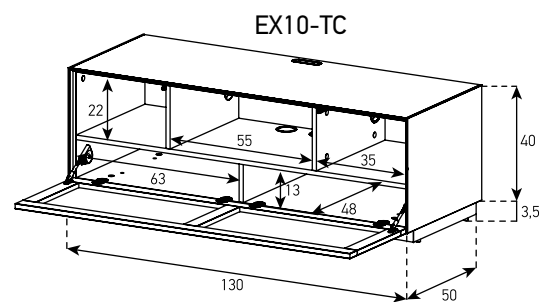
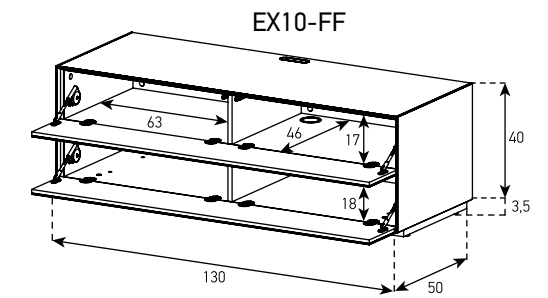
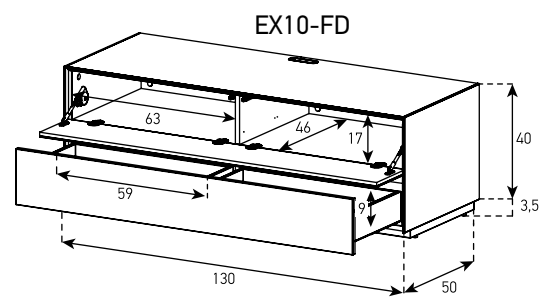
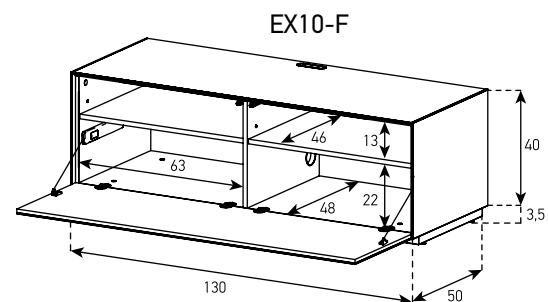
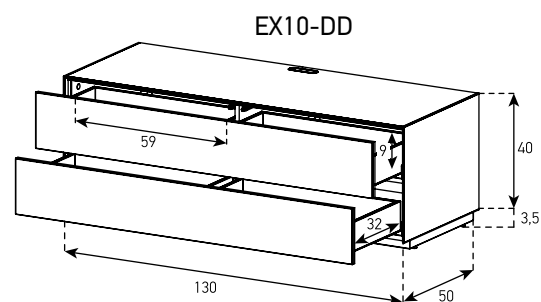
- 1- EX12-FD-WHT-WHT-8-B
- 2- EX10-FD-WHT-WHT-8-D
- 3- EX12-DD-WHT-WHT-8-C

# SAMPLE COMBINATION - 8

---

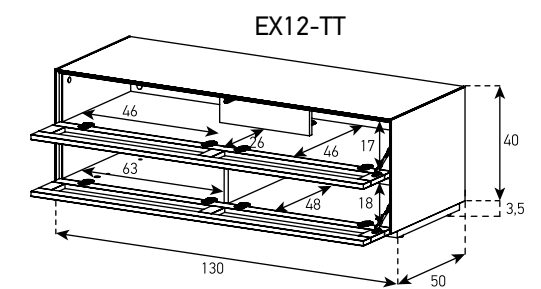
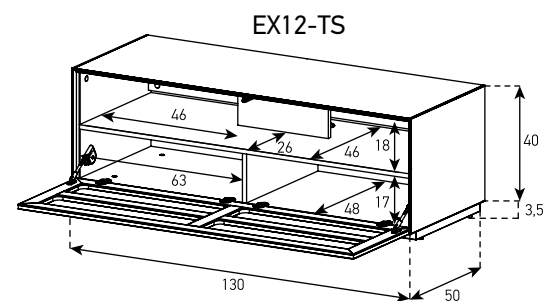
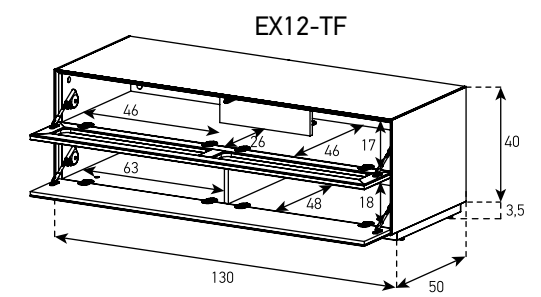
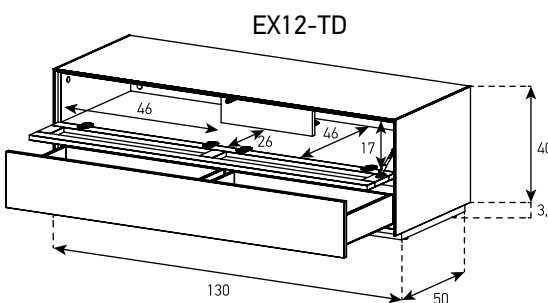
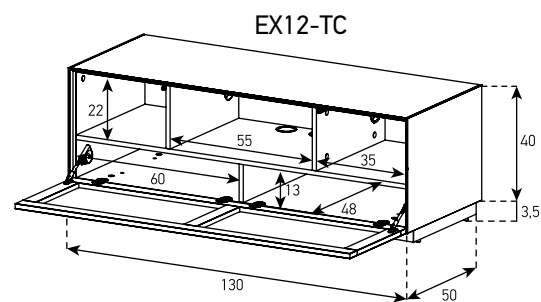
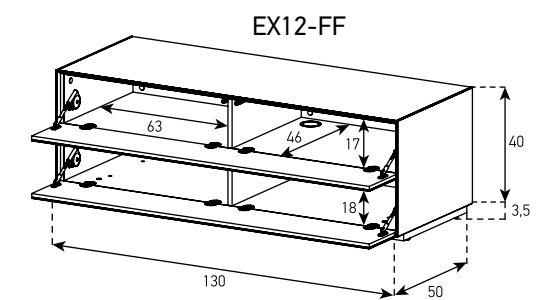
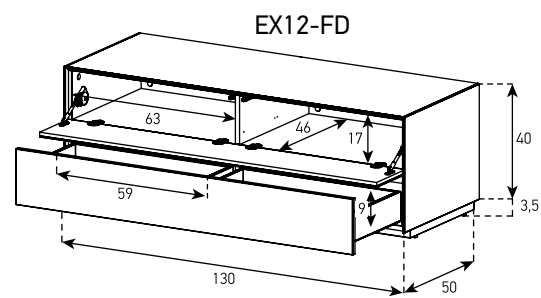
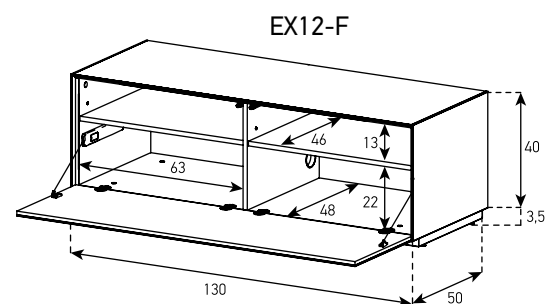
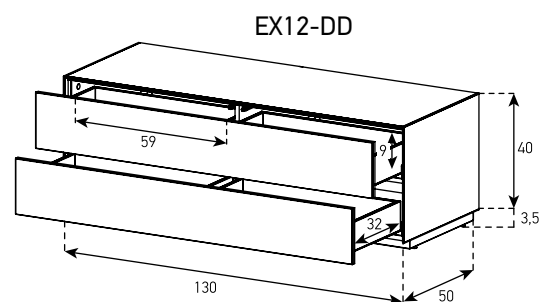


- 1- EX20-F-WHT-WHT-8-B
- 2- EX11-TS-WHT-BLK-8-D
- 3- EX20-D-WHT-WHT-8-C
- 4- ED50-F-WHT-WHT-A
- 5- ED50-F-WHT-WHT-A

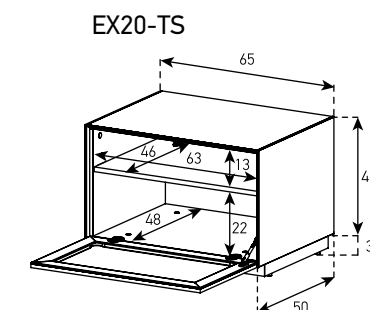
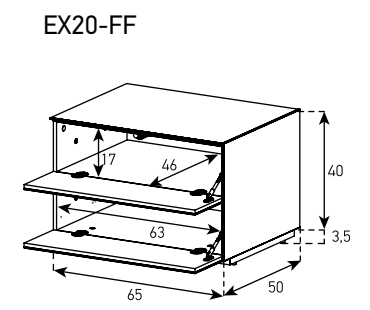
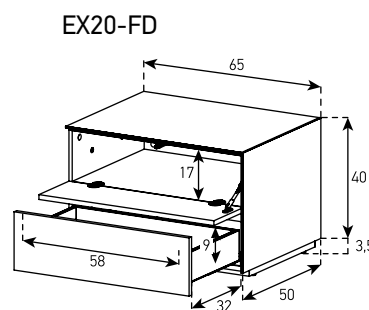
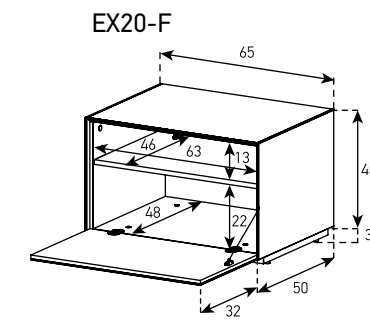
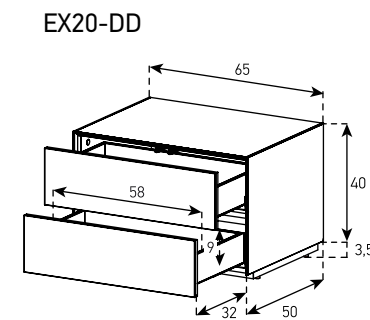
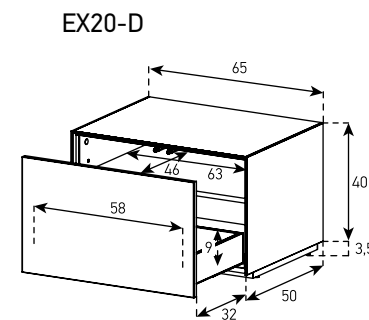




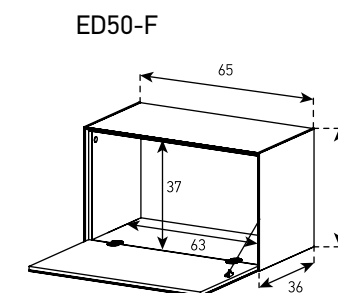
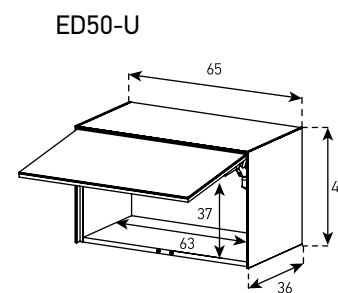
Floor Cabinet without Hole (130 cm)



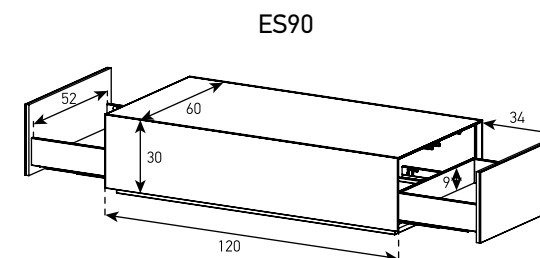
Floor Cabinet (65 cm)



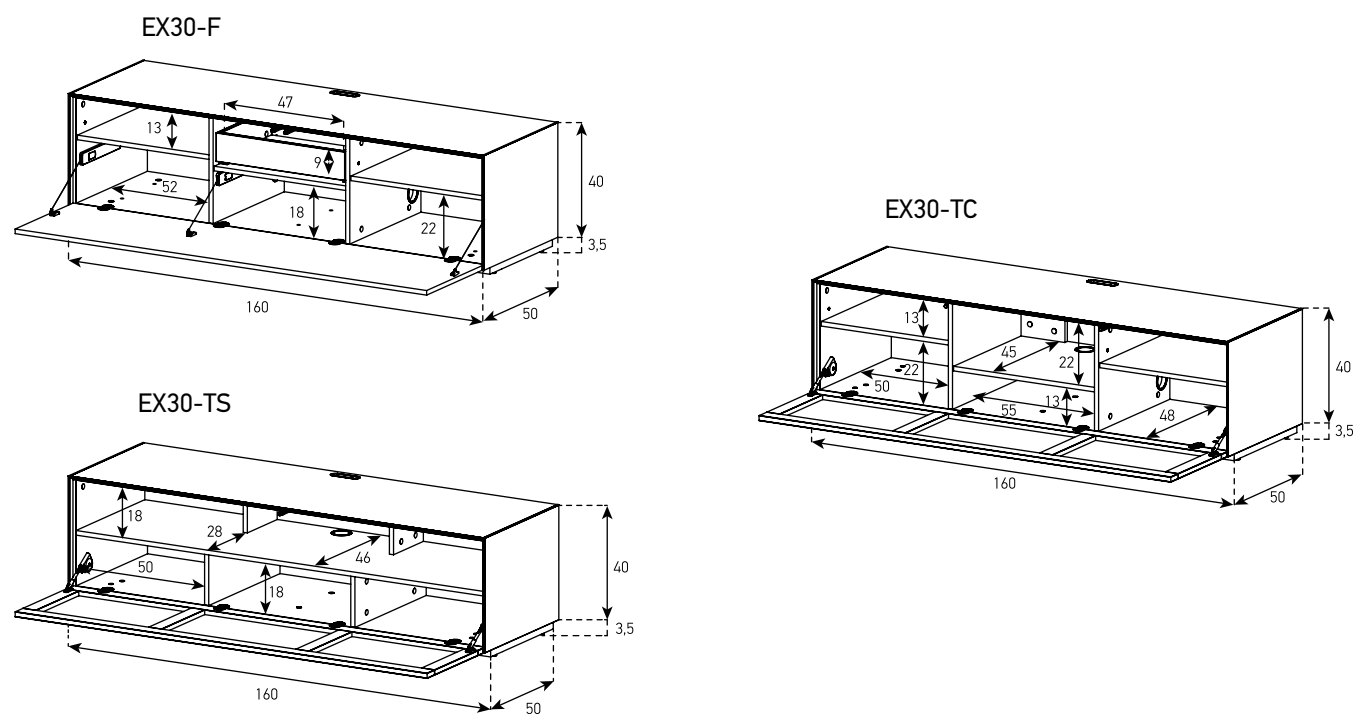
Cabinet for Wall Hanging



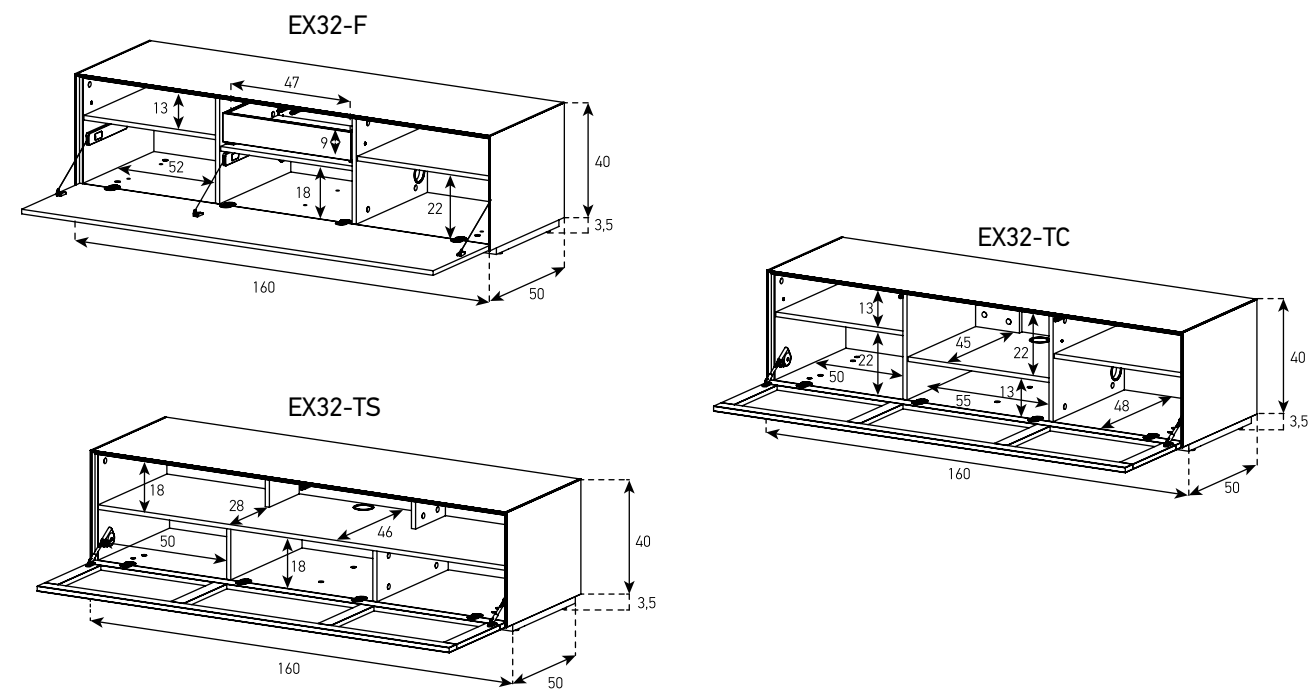
Coffee Table



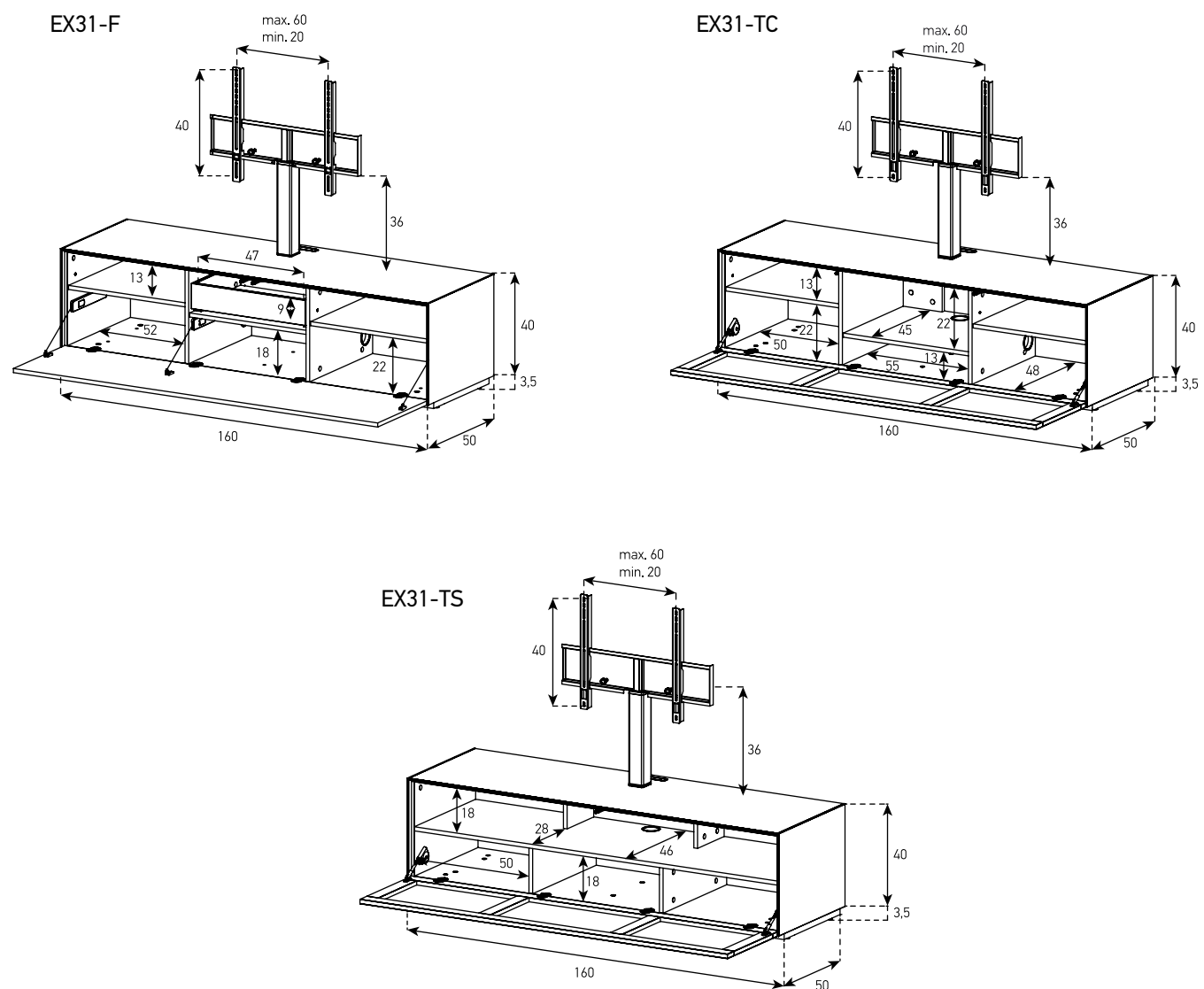
Floor Cabinet with Hole (160 cm)



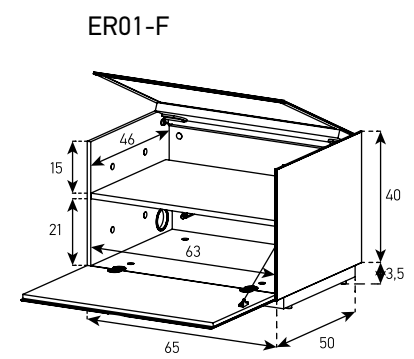
Floor Cabinet without Hole (160 cm)



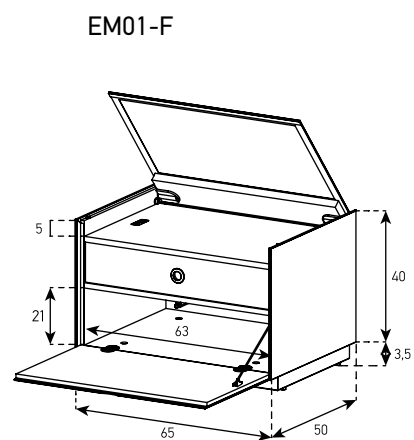
Floor Cabinet with Hole and Bracket (160 cm)



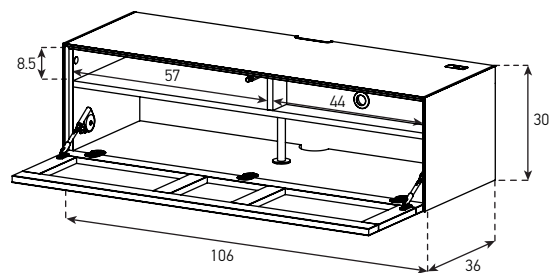
Floor Cabinet for Turn Table



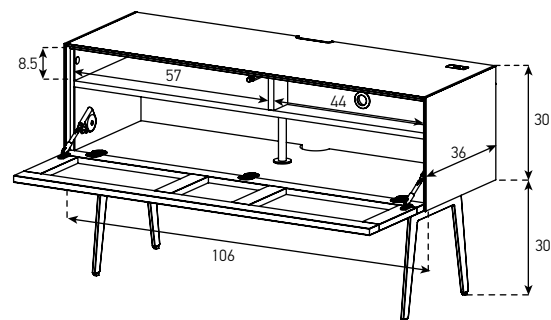
Floor Cabinet for Mobile Device



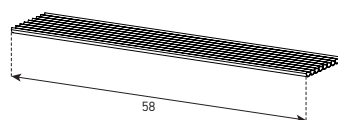
ES50-TS-WL



ES50-TS-SL

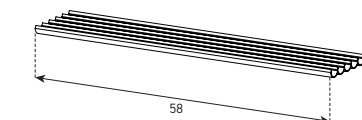


Accessories



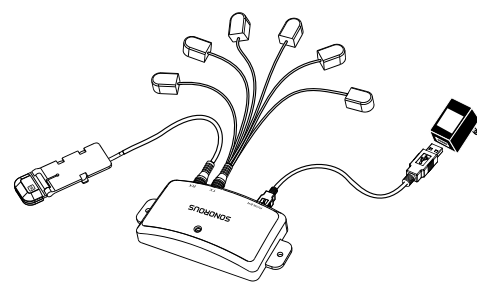
AL-HECD

CD Organizer



AL-HEDVD

DVD Organizer



IR 3000

Infrared Repeater



# CODE SAMPLE

# EX 10 - F - BLK - BLK - 8 - A

1                      2                      3                      4                      5                      6

## 1- CABINET TYPES

- **EX10** Floor cabinet, 130cm length 40cm height 50cm depth with Hole
- **EX11** Floor cabinet, 130cm length 40cm height 50cm depth with Hole & Bracket
- **EX12** Floor cabinet, 130cm length 40cm height 50cm depth without Hole
- **EX20** Floor cabinet, 65cm length 40cm height 50cm depth
- **EX30** Floor cabinet, 160cm length 40cm height 50cm depth with Hole
- **EX31** Floor cabinet, 160cm length 40cm height 50cm depth with Hole & Bracket
- **EX32** Floor cabinet, 160cm length 40cm height 50cm depth without Hole
- **EX50** Floor cabinet, 130cm length 40cm height 50cm depth
- **ED50** Wall hanging cabinet, 65cm length 40cm height 36cm depth
- **ES50** Wall hanging (WL) or Steel legs (SL), 106cm length 30cm height 36cm depth
- **ES90** Coffee table, 120cm length 30cm height 60cm width
- **ER01** Turn table console, 65cm length 40cm height 50cm depth
- **EM01** Mobile storage & charging docks, 65cm length 40cm height 50cm depth

## 2- CABINET DOORS

- **F - Flap Down** (Not applicable to ES90)
- **D - Drawer** (Not applicable to EX30/ED50 cabinet series)
- **U - Flap Up** (ED50 only)
- **FF - Flap / Flap** (EX10/20 series)
- **FD - Flap / Drawer** (EX10/20 series)
- **DD - Drawer / Drawer** (EX10/20 series)
- **TS - Textile (Soundbar Compatible)** (EX only)
- **TC - Textile (Center compatible)** (EX10/30 series)
- **TT - Textile / Textile** (EX10 series)
- **TF - Textile / Flap** (EX10 series)
- **TD - Textile / Drawer** (EX10 series)

## 3- CABINET DECORS

- **Glass** - (BLK / Black) - (WHT / White) - (CPN / Cappuccino) - (GRP / Graphite) - (BLU / Dark Blue) - (RED / Red) (CPR / Copper) - (YLW - Yellow)
- **Wood** - (AMZ / Amazonas) - (OAK / Oak) - (SGR / Storm Grey) - (SBG / Soft Beige) - (SWH / Soft White) (TOR / Tortona) - (MOL / Molina) - (COR / Cortina)

## 4- DOOR DECORS

- **Glass** - (BLK / Black) - (WHT / White) - (CPN / Cappuccino) - (GRP / Graphite) - (BLU / Dark Blue) - (RED / Red) (CPR / Copper) - (YLW - Yellow)
  - **Wood** - (AMZ / Amazonas) - (OAK / Oak) - (SGR / Storm Grey) - (SBG / Soft Beige) - (SWH / Soft White) (TOR / Tortona) - (MOL / Molina) - (COR / Cortina)
  - **Textile** - (BLK / Black) - (OLV / Olive) - (GRY / Grey)
- On "TF", "TD" versions, door color option in code, represents door that is not textile. Textile door color will be Black in default.

## 5- BASE OPTIONS

- **2** - 2 cm Base
- **8** - 8 cm Base

## 5- STRUCTURE OPTIONS

- **A**
- **B**
- **C**
- **D**





